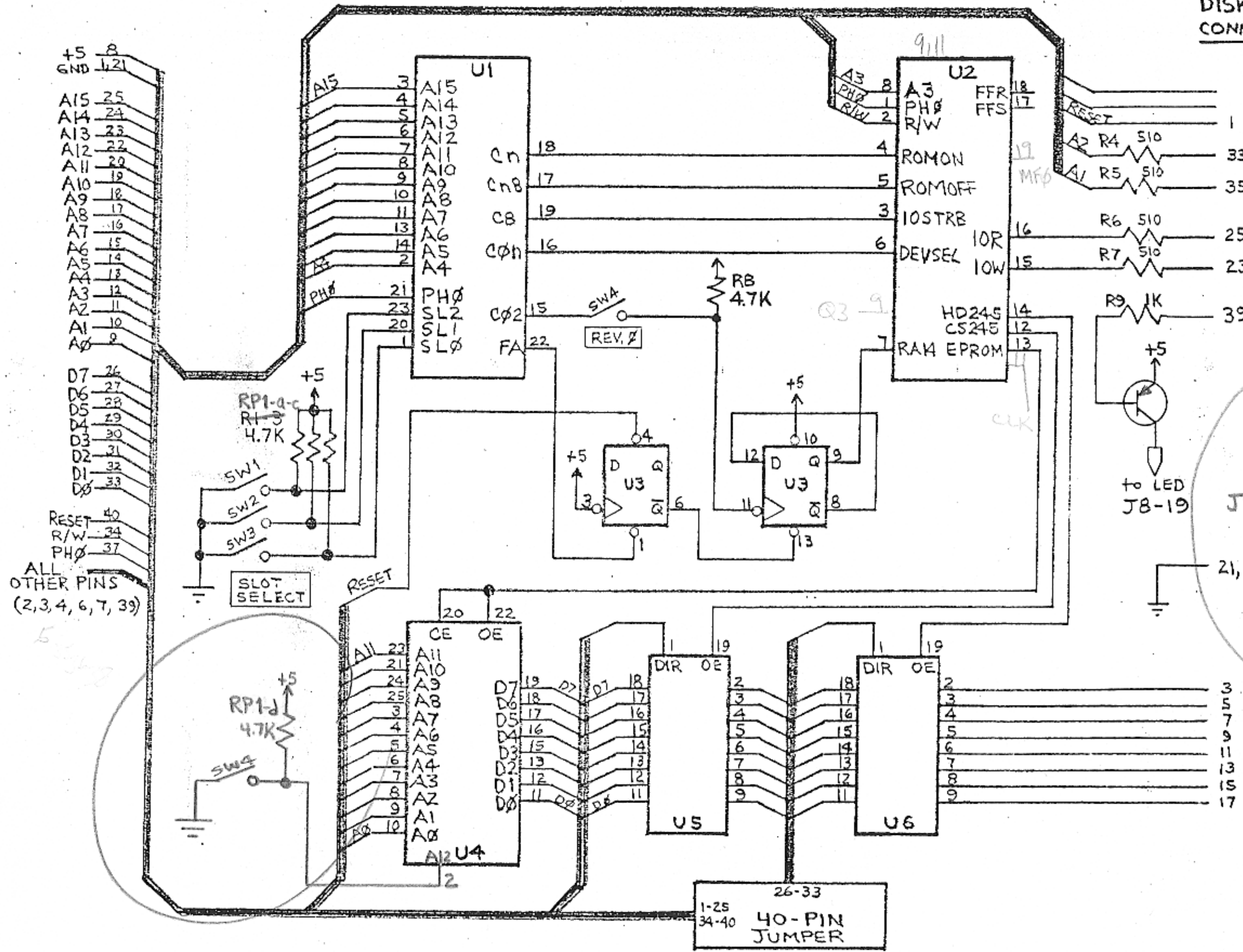
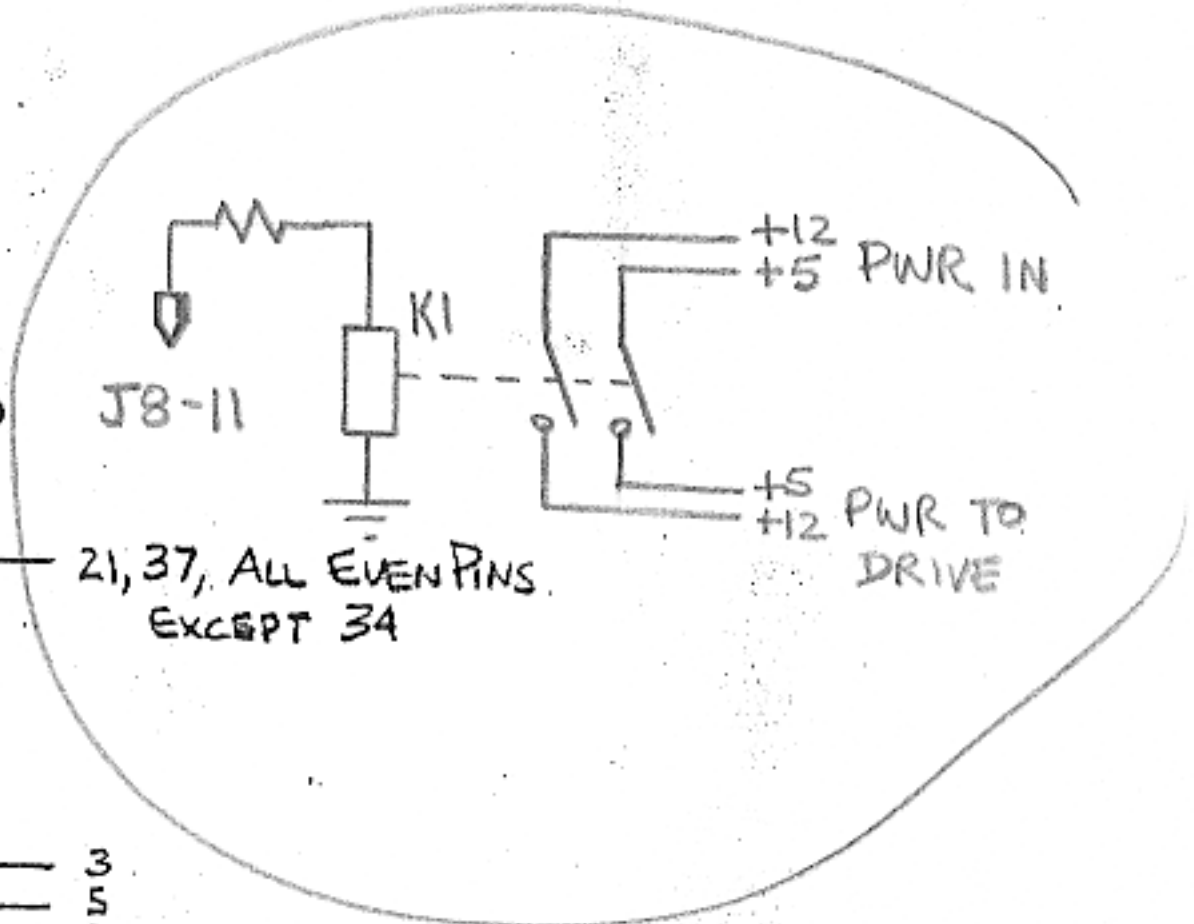


**CPU SOCKET**

**DISK DRIVE CONNECTOR**



- U1 - PAL20L8
- U2 - PAL16L8
- U3 - 74HCT74
- U4 - 2764
- U5, U6 - 74HCT245
- Q1 - 2N3906



NOTES: 1) ALL UNUSED INPUTS TIED TO GROUND.

| SCHEMATIC - CDRIVE           |                 |
|------------------------------|-----------------|
| VER 1.0                      | DRAWN: 11/10/89 |
| DRAWN BY: J. MAZUR           |                 |
| © 1989 WEST SIDE ELECTRONICS |                 |

CT  
Disk Led moved?