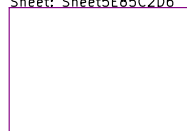


256x4 PROM

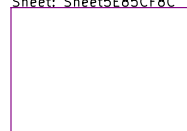
replaces MMI 6301 or equivalent; 16-pin DIP; TTL levels

Sheet: Sheet5E85C2D6



File: prom\_io\_power.sch

Sheet: Sheet5E85CF8C



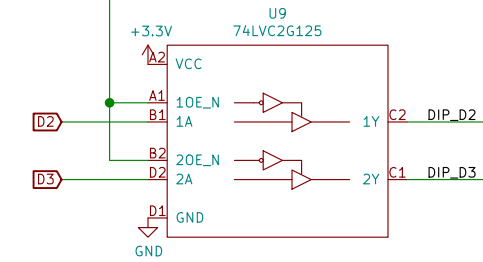
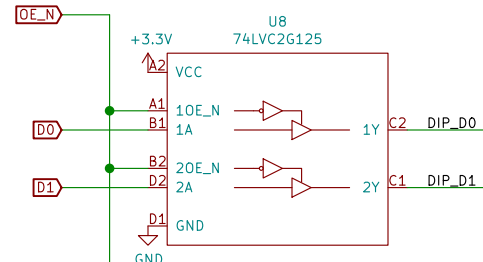
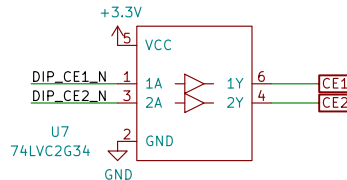
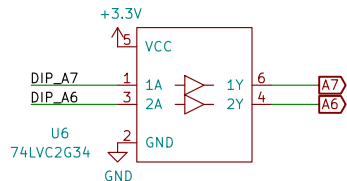
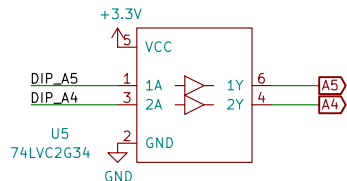
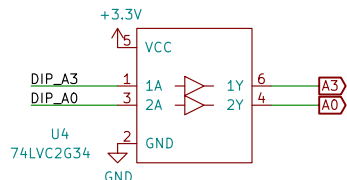
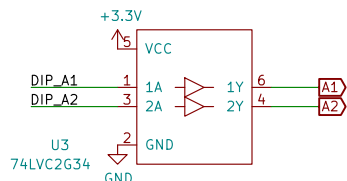
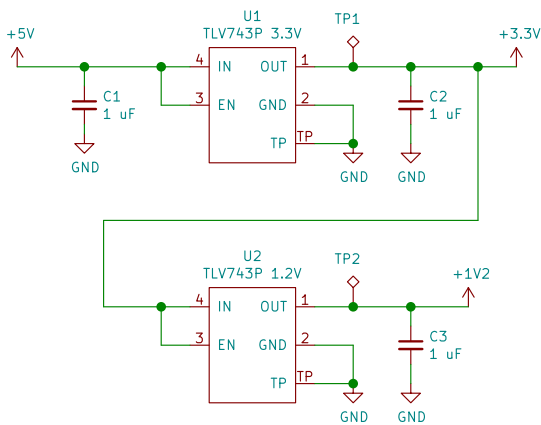
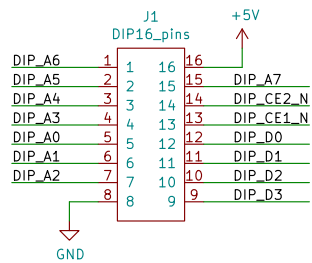
File: prom\_fpga.sch

Sheet: /  
File: prom.sch

**Title:**

Size: USLetter    Date:  
KiCad E.D.A.    kicad 5.1.5-1.fc31

**Rev:**  
Id: 1/3

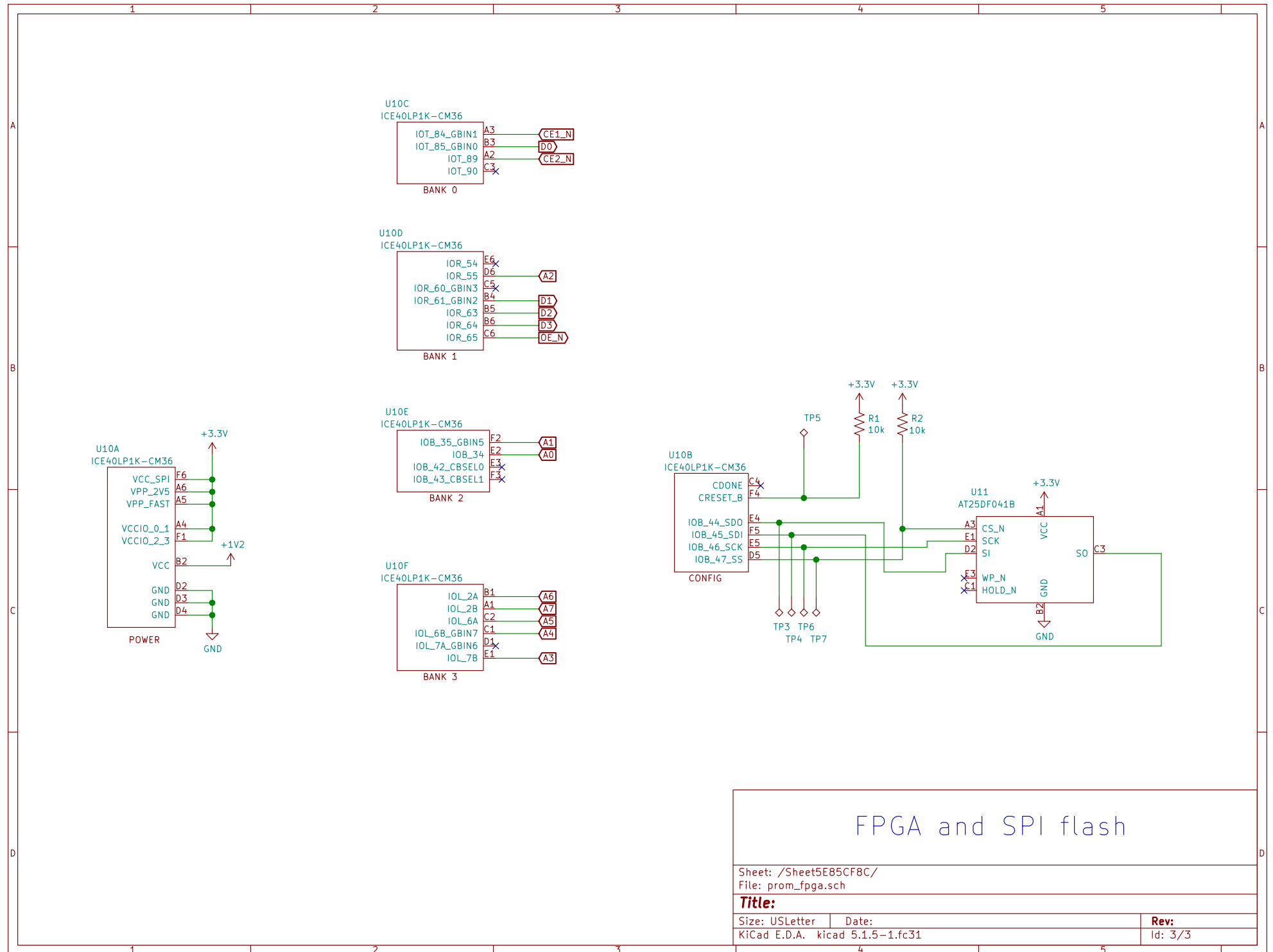


TTL outputs  
5V tolerant when in  
hi-z state

TTL inputs  
5V tolerant

## Pin I/O and power

Sheet: /Sheet5E85C2D6/		File: prom_io_power.sch	
<b>Title:</b>			
Size: USLetter	Date:	Rev:	
KiCad E.D.A. kicad 5.1.5-1.fc31		Id: 2/3	



## FPGA and SPI flash

Sheet: /Sheet5E85CF8C/  
File: prom\_fpga.sch

### Title:

Size: USLetter Date:  
KiCad E.D.A. kicad 5.1.5-1.fc31

Rev:  
Id: 3/3